



We make it visible.

User
 User ID:

 Password:

[> NEW? Register now!](#)
[> Forgot Password?](#)

- Applications**
- > Biomedical Applications
 - > Materials Applications
- Microscopes**
- > Upright microscopes
 - > Inverted microscopes
 - > Stereomicroscopes
 - > Zoom Microscopes
- Computers**
- > Computers
- Software**
- > AxioVision Software
 - > ZEN Software
- Accessories**
- > Accessories
- Tools**
- > Camera Assistant
 - > Filter Assistant
 - Objective Assistant
- Further Products**
- > Service

Carl Zeiss Microscopy, LLC
 One Zeiss Drive
 Thornwood, NY 10594
 United States

micro@zeiss.com
 +1 800 233 2343

- Visit us on:
- Facebook
 - Twitter
 - YouTube



Microscopy & Imaging | Online Shop

Carl Zeiss Microscopy, LLC, United States

Homepage | Basket | Contact | Carl Zeiss Worldwide



Objective Assistant

[+ Italiano](#) [+ Español](#)

[+ Objective Assistant](#) [+ List of Objectives](#)

[Print](#)

Objective data

[PDF Brochure: Objectives from Carl Zeiss \(5 MB\)](#)

Objective Class: Plan-Apochromat SF25

Best field flattening, best correction, confocal microscopy →



Objective Plan-Apochromat 20x/0.8 M27

420650-9901-000

Price	→ Price
Magnification	20x
Numerical Aperture	0.8
Working Distance [mm]	0.55
Coverglass Thickness [mm]	0.17
Thread Type	M27x0.75
Immersion	Without Immersion
Field of View [mm]	25
Parfocal Length [mm]	45.06
Long Distance (LD)	
Correction Ring (Korr)	
Iris (Iris)	
Optical System	Infinity Color Corrected System (ICS)
Flatness	★★★★★
Color Correction	★★★★★

Biomedical Applications

Fluorescence	■
- Multichannel	★★★★★
- Ultraviolet Transmission	★★★★
- Infra Red Transmission	★★★★
BrightField (H)	■
Differential Interference Contrast (DIC)	★★★★★
High Contrast DIC (HC DIC)	
PlasDIC Contrast	
Phase Contrast (PH)	
VAREL Contrast	
Hoffman Modulation Contrast (HMC)	
Polarization Contrast (POL)	

Materials (Reflected Light) Applications

BrightField (H)	
BrightField/DarkField (HD)	
Reflected Light DIC (RL DIC)	
High Contrast DIC (HC DIC)	
DIC with circular polarized light (C-DIC)	
Total Interference Contrast (TIC)	
Polarization Contrast (POL)	

Options

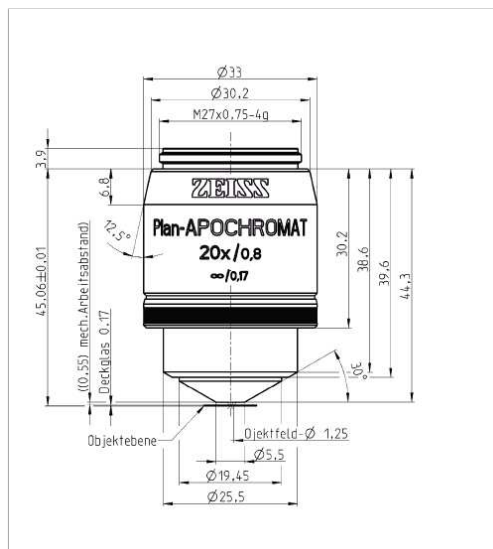
Confocal Microscopy	■
- Ultra Violet	★★★★
- VIS (visible light)	★★★★★
NLO-IR / 2 Photon	★★
Total Internal Reflection Fluorescence (TIRF)	

Objective Plan-Apochromat 20x/0.8 M27



(WD=0.55mm), incl. Cover glasses, high performance, D=0.17mm, box with 100 pc.

Mechanical Dimensions

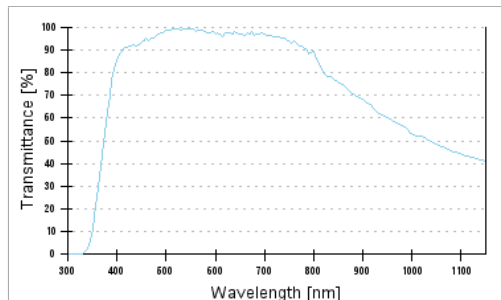


All measures in [mm]

mech. Arbeitsabstand = mechanical working distance
 Deckglas = cover glass
 Objektbene = object plane
 Objektfeld = object field
 Ausleuchtung = illumination
 Probenzugänglichkeit = specimen accessibility

Transmittance curve

ApoTome	■
Microdissection	



Please note that due to production tolerances, the given values are typical only and not guaranteed.

Fitting Accessories for
420650-9901-000 Objective Plan-Apochromat 20x/0.8 M27

DIC sliders



DIC slider EC PN 10x/0.30 I, 20x/0.50 II, PA 20x/0.80 II
Order Number: 426940-0000-000

[Price](#)

[Compatibility](#) [Basket](#)

The contents of the basket can be:
 + ordered online
 + printed as a fax order
 + requested as a written quotation
 + saved as a shopping list

Other Accessories



Adapter 30mm with optics and DIC slider mount
Order Number: 424516-9040-000
for adaptation of objectives M27 with parfocal length of 45 mm

Note: This item is no longer available.

[Price](#)

[Compatibility](#)



Adapter 30mm with optics and DIC slider mount
Order Number: 424516-9041-000
for adaptation of objectives M27 with parfocal length of 45mm

[Price](#)

[Compatibility](#) [Basket](#)



Cover glasses, high performance, D=0.17mm, box with 1000 pc.
Order Number: 474030-9000-000
Size 18x18 mm² type 1 1/2 H as per ISO 8255-1 with restricted thickness-related tolerance D=0.17 mm +/- 0.005 mm refractive index ...

[Price](#)

[Compatibility](#) [Basket](#)



Objective ring ACR for objective sleeve conical short
Order Number: 424509-0000-000

[Price](#)

[Compatibility](#) [Basket](#)



Transmission grid L1 ApoTome for Axio Imager
Order Number: 423664-0000-000

[Price](#)

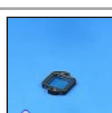
[Compatibility](#) [Basket](#)



Transmission grid PL ApoTome
Order Number: 000000-1151-003
for Axioplan 2

[Price](#)

[Compatibility](#) [Basket](#)



Transmission grid VL ApoTome
Order Number: 000000-1151-004
for Axio Observer and Axiovert 200

[→ Price](#)

[Compatibility](#) [Basket](#)

|

