



We make it visible.

Homepage | Basket | Contact | Carl Zeiss Worldwide



## Objective Assistant

[→ Italiano](#) [→ Español](#)

[→ Objective Assistant](#) [→ List of Objectives](#)

[Print](#)

### Objective data

[Brochure: Objectives from Carl Zeiss \(5 MB\)](#)



**Objective Class: W Achroplan/W N-Achroplan**  
[Special objectives for electrophysiology →](#)

User

User ID:

Password:

> [NEW? Register now!](#)  
> [Forgot Password?](#)

#### Applications

- > Biomedical Applications
- > Materials Applications
- Microscopes**
- > Upright microscopes
- > Inverted microscopes
- > Stereomicroscopes
- > Zoom Microscopes
- Computers**
- > Computers
- Software**
- > AxiVision Software
- > ZEN Software
- Accessories**
- > Accessories
- Tools**
- > Camera Assistant
- > Filter Assistant
- **Objective Assistant**
- Further Products**
- > EM Accessories
- > Service

Carl Zeiss Microscopy, LLC  
One Zeiss Drive  
Thornwood, NY 10594  
United States

[micro@zeiss.com](mailto:micro@zeiss.com)  
[+1 800 233 2343](tel:+18002332343)

Visit us on:

[Facebook](#)

[Twitter](#)

[YouTube](#)

Delivery is free.



© 2006-2013 Carl Zeiss

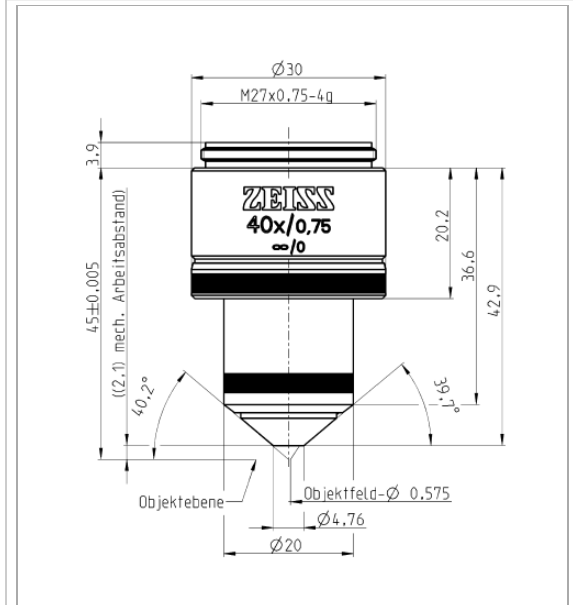
	<b>Objective W N-Achroplan 40x/0.75 M27</b>
	<b>420967-9900-000</b>
<a href="#">→ Transmittance curve</a>	<input type="button" value="Basket"/>
Price	<a href="#">→ Price</a>
Magnification	<b>40x</b>
Numerical Aperture	0.75
Working Distance [mm]	2.1
Coverglass Thickness [mm]	0
Thread Type	M27x0.75
Immersion	Water
Field of View [mm]	23
Parfocal Length [mm]	45.00
Long Distance (LD)	
Correction Ring (Korr)	
Iris (Iris)	
Optical System	Infinity Color Corrected System (ICS)
Flatness	☆☆
Color Correction	☆☆☆
<b>Biomedical Applications</b>	
Fluorescence	■
- Multichannel	☆☆
- Ultraviolet Transmission	☆☆
- Infra Red Transmission	☆☆☆
BrightField (H)	■
Differential Interference Contrast (DIC)	☆☆☆
High Contrast DIC (HC DIC)	
PlasDIC Contrast	
Phase Contrast (PH)	
VAREL Contrast	
Hoffman Modulation Contrast (HMC)	
Polarization Contrast (POL)	
<b>Materials (Reflected Light) Applications</b>	
BrightField (H)	
BrightField/DarkField (HD)	
Reflected Light DIC (RL DIC)	
High Contrast DIC (HC DIC)	
DIC with circular polarized light (C-DIC)	
Total Interference Contrast (TIC)	
Polarization Contrast (POL)	
<b>Options</b>	
Confocal Microscopy	■
- Ultra Violet	☆☆
- VIS (visible light)	☆☆
NLO-IR / 2 Photon	☆☆

### Objective W N-Achroplan 40x/0.75 M27



(WD=2.1mm)

### Mechanical Dimensions

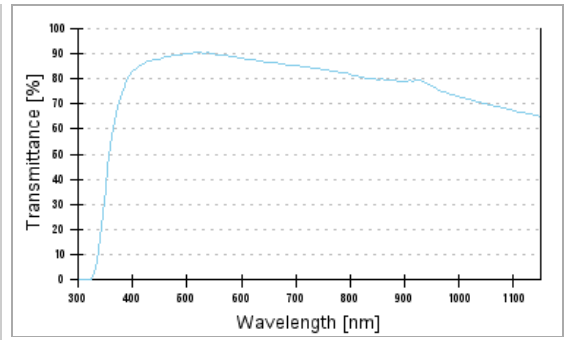


All measures in [mm]

mech. Arbeitsabstand = mechanical working distance  
Deckglas = cover glass  
Objektebene = object plane  
Objektfeld = object field  
Ausleuchtung = illumination  
Probenzugänglichkeit = specimen accessibility

### Transmittance curve

Total Internal Reflection Fluorescence (TIRF)	
ApoTome	
Microdissection	



Please note that due to production tolerances, the given values are typical only and not guaranteed.

Fitting Accessories for  
420967-9900-000 Objective W N-Achroplan 40x/0.75 M27



#### DIC sliders



**DIC slider W N Achroplan 40x/0.75 II**  
Order Number: 426967-9050-000

→ Price

Compatibility Basket



The contents of the basket can be:

- + ordered online
- + printed as a fax order
- + requested as a written quotation
- + saved as a shopping list

#### Other Accessories



**Adapter 30mm with optics and DIC slider mount**  
Order Number: 424516-9040-000  
for adaptation of objectives M27 with parfocal length of 45 mm

→ Price

Note: This item is no longer available.

Compatibility



**Adapter 30mm with optics and DIC slider mount**  
Order Number: 424516-9041-000  
for adaptation of objectives M27 with parfocal length of 45mm

→ Price

Compatibility Basket



**Objective ring ACR for objective sleeve cylindrical short**  
Order Number: 424508-0000-000

→ Price

Compatibility Basket

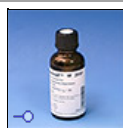
#### Immersion



**Box of lens cleaning paper (300 sheets)**  
Order Number: 462975-0000-000

→ Price

Compatibility Basket



**Immersion medium Immersol W 2010, oiler 20 ml**  
Order Number: 444969-0000-000  
ne=1.3339 (23°C) for water immersion

→ Price

Compatibility Basket



**Immersion medium "Immersol" W, oiler 20 ml**  
Order Number: 000000-1252-136  
ne=1.3339 (23°C) for water immersion

→ Price

Note: This item is no longer available.

Compatibility

