



We make it visible.

Homepage | Basket | Contact | Carl Zeiss Worldwide



Objective Assistant

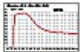
→ Objective Assistant → List of Objectives

Print

Objective data

PDF Brochure: Objectives from Carl Zeiss (5 MB)

Objective Class: LD Plan-Neofluar
Objectives for inverted research microscopy with long working distance →

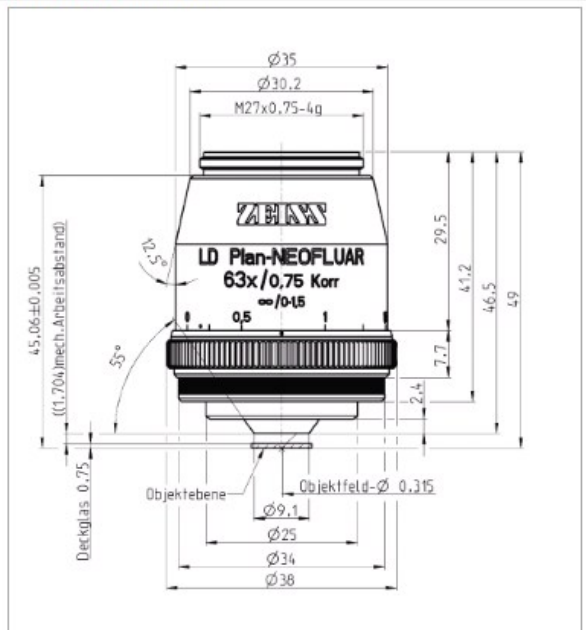
	Objective LD Plan-Neofluar 63x/0.75 Corr M27
→ Transmittance curve	421380-9970-000
	<input type="button" value="Basket"/>
Price	→ Price
Magnification	63x
Numerical Aperture	0,75
Working Distance [mm]	1,7 at cover glass 0,75
Coverglass Thickness [mm]	0-1,5
Thread Type	M27x0,75
Immersion	Without Immersion
Field of View [mm]	23
Parfocal Length [mm]	45,06
Long Distance (LD)	■
Correction Ring (Korr)	■
Iris (Iris)	
Optical System	Infinity Color Corrected System (ICS)
Flatness	★★★★
Color Correction	★★★★
Biomedical Applications	
Fluorescence	■
- Multichannel	★★★★
- Ultraviolet Transmission	★★★★
- Infra Red Transmission	★★★
BrightField (H)	■
Differential Interference Contrast (DIC)	★★★★
High Contrast DIC (HC DIC)	
PlasDIC Contrast	■
Phase Contrast (PH)	
VAREL Contrast	
Hoffman Modulation Contrast (HMC)	
Polarization Contrast (POL)	
Materials (Reflected Light) Applications	
BrightField (H)	
BrightField/DarkField (HD)	
Reflected Light DIC (RL DIC)	
High Contrast DIC (HC DIC)	
DIC with circular polarized light (C-DIC)	
Total Interference Contrast (TIC)	
Polarization Contrast (POL)	
Options	

Objective LD Plan-Neofluar 63x/0.75 Corr M27



(D=0-1.5mm) (WD=2.2mm at D=0mm and WD=1.2mm at D=1.5mm), incl. Cover glasses, high performance, D=0.17mm, box with 100 pc.

Mechanical Dimensions



All measures in [mm]

mech. Arbeitsabstand = mechanical working distance
Deckglas = cover glass
Objektebene = object plane
Objektfeld-ø = object field
Ausleuchtung = illumination

User
User ID:

Password:

> NEW? Register now!
> Forgot Password?

- Applications
 - > Biomedical Applications
 - > Materials Applications
- Microscopes
 - > Upright microscopes
 - > Inverted microscopes
 - > Stereomicroscopes
 - > Zoom Microscopes
- Computers
 - > Computers
- Software
 - > AxiVision Software
 - > ZEN Software
- Accessories
 - > Accessories
- Tools
 - > Camera Assistant
 - > Filter Assistant
 - Objective Assistant
- Further Products
 - > FISH Probes

Brock & Michelsen A/S
Blokken 76
DK-3460 Birkerød
Denmark

+45 7015 7015

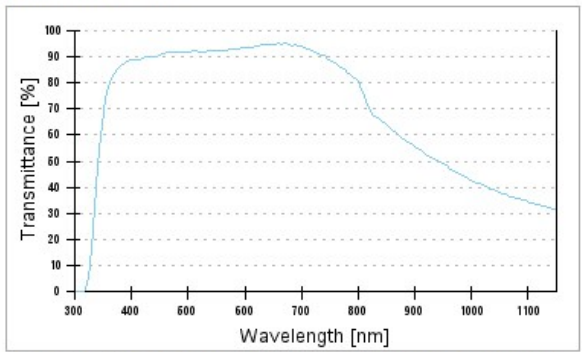
- Visit us on:
- Facebook
 - Twitter
 - YouTube

© 2006-2013 Carl Zeiss

Confocal Microscopy	■
- Ultra Violet	★★★★
- VIS (visible light)	★★★★★
NLO-IR / 2 Photon	★★
Total Internal Reflection Fluorescence (TIRF)	
ApoTome	
Microdissection	■

Probenzugänglichkeit = specimen accessibility

Transmittance curve



Please note that due to production tolerances, the given values are typical only and not guaranteed.

Fitting Accessories for

421380-9970-000 Objective LD Plan-Neofluar 63x/0.75 Corr M27

DIC sliders



PlasDIC slider for LD PN 63x/0.75 corr
Order Number: 444506-0000-000

→ Price

Compatibility

Basket



DIC slider LD PN 63x/0.75 II
Order Number: 426956-0000-000

→ Price

Compatibility

Basket

Other Accessories



Adapter 30mm with optics and DIC slider mount
Order Number: 424516-9040-000
for adaptation of objectives M27 with parfocal length of 45 mm

Note: This item is no longer available.

→ Price

Compatibility



Adapter 30mm with optics and DIC slider mount
Order Number: 424516-9041-000
for adaptation of objectives M27 with parfocal length of 45mm

→ Price

Compatibility

Basket



Cover glasses, high performance, D=0.17mm, box with 1000 pc.
Order Number: 474030-9000-000
Size 18x18 mm² type 1 1/2 H as per ISO 8255-1 with restricted thickness-related tolerance D=0.17 mm +/- 0.005 mm refractive index ...

→ Price

Compatibility

Basket



Objective ring ACR for objective sleeve conical long
Order Number: 424510-0000-000

→ Price

Compatibility

Basket



The contents of the basket can be:

- + ordered online
- + printed as a fax order
- + requested as a written quotation
- + saved as a shopping list