



We make it visible.

Microscopy & Imaging | Online Shop

Carl Zeiss Microscopy, LLC, United States

Homepage | Basket | Contact | Carl Zeiss Worldwide

Objective Assistant

→ Italiano → Español

User

User ID:

Password:

> **NEW?** Register now!
> Forgot Password?

- Applications**
- > Biomedical Applications
- > Materials Applications
- Microscopes**
- > Upright microscopes
- > Inverted microscopes
- > Stereomicroscopes
- > Zoom Microscopes
- Computers**
- > Computers
- Software**
- > AxioVision Software
- > ZEN Software
- Accessories**
- > Accessories
- Tools**
- > Camera Assistant
- > Filter Assistant
- ▣ Objective Assistant
- Further Products**
- > EM Accessories
- > Service

Carl Zeiss Microscopy, LLC
 One Zeiss Drive
 Thornwood, NY 10594
 United States

✉ micro@zeiss.com
 ☎ +1 800 233 2343

Visit us on:

Facebook
 Twitter
 YouTube

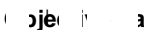
Delivery is free.

powered by VeriSign

© 2006-2013 Carl Zeiss

→ Objective Assistant → List of Objectives

Print



pdf Brochure: Objectives from Carl Zeiss (5 MB)

Objective Class: Plan-Apochromat SF25
 Best field flattening, best correction, confocal microscopy →

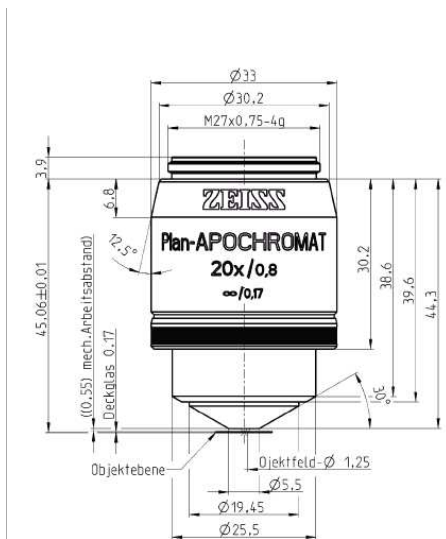
 → Transmittance curve	Objective Plan-Apochromat 20x/0.8 M27
	420650-9901-000 <input type="button" value="Basket"/>
Price	→ Price
Magnification	20x
Numerical Aperture	0.8
Working Distance [mm]	0.55
Coverglass Thickness [mm]	0.17
Thread Type	M27x0.75
Immersion	Without Immersion
Field of View [mm]	25
Parfocal Length [mm]	45.06
Long Distance (LD)	
Correction Ring (Korr)	
Iris (Iris)	
Optical System	Infinity Color Corrected System (ICS)
Flatness	★★★★★
Color Correction	★★★★★
Biomedical Applications	
Fluorescence	■
- Multichannel	★★★★★
- Ultraviolet Transmission	★★★★
- Infra Red Transmission	★★★★
BrightField (H)	■
Differential Interference Contrast (DIC)	★★★★★
High Contrast DIC (HC DIC)	
PlasDIC Contrast	
Phase Contrast (PH)	
VAREL Contrast	
Hoffman Modulation Contrast (HMC)	
Polarization Contrast (POL)	
Materials (Reflected Light) Applications	
BrightField (H)	
BrightField/DarkField (HD)	
Reflected Light DIC (RL DIC)	
High Contrast DIC (HC DIC)	
DIC with circular polarized light (C-DIC)	
Total Interference Contrast (TIC)	
Polarization Contrast (POL)	
Options	
Confocal Microscopy	■
- Ultra Violet	★★★★
- VIS (visible light)	★★★★★
NLO-IR / 2 Photon	★★

Objective Plan-Apochromat 20x/0.8 M27



(WD=0.55mm), incl. Cover glasses, high performance, D=0.17mm, box with 100 pc.

Mechanical Dimensions

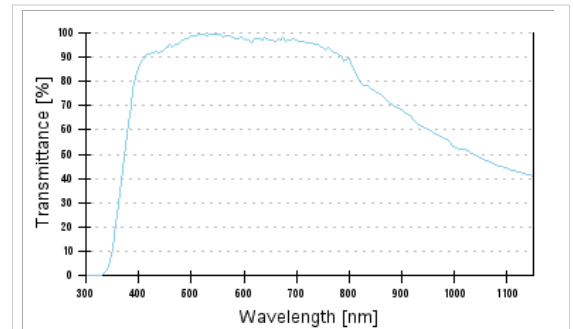


All measures in [mm]

- mech. Arbeitsabstand = mechanical working distance
- Deckglas = cover glass
- Objektebene = object plane
- Objektfeld = object field
- Ausleuchtung = illumination
- Probenzugänglichkeit = specimen accessibility

Transmittance curve

Total Internal Reflection Fluorescence (TIRF)	
ApoTome	■
Microdissection	■



Please note that due to production tolerances, the given values are typical only and not guaranteed.

Fitting Accessories for
420650-9901-000 Objective Plan-Apochromat 20x/0.8 M27

DIC sliders



DIC slider EC PN 10x/0.30 I, 20x/0.50 II, PA 20x/0.80 II
Order Number: 426940-0000-000

→ Price

Compatibility Basket

The contents of the basket can be:

- + ordered online
- + printed as a fax order
- + requested as a written quotation
- + saved as a shopping list

Other Accessories



Adapter 30mm with optics and DIC slider mount
Order Number: 424516-9040-000
for adaptation of objectives M27 with parfocal length of 45 mm

Note: This item is no longer available.

→ Price

Compatibility



Adapter 30mm with optics and DIC slider mount
Order Number: 424516-9041-000
for adaptation of objectives M27 with parfocal length of 45mm

→ Price

Compatibility Basket



Cover glasses, high performance, D=0.17mm, box with 1000 pc.
Order Number: 474030-9000-000
Size 18x18 mm² type 1 1/2 H as per ISO 8255-1 with restricted thickness-related tolerance D=0.17 mm +/- 0.005 mm refractive index ...

→ Price

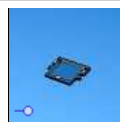
Compatibility Basket



Objective ring ACR for objective sleeve conical short
Order Number: 424509-0000-000

→ Price

Compatibility Basket



Transmission grid L1 ApoTome for Axio Imager
Order Number: 423664-0000-000

→ Price


Compatibility Basket



Transmission grid PL ApoTome
Order Number: 000000-1151-003
for Axioplan 2

→ Price

Compatibility Basket

	<p>Transmission grid VL ApoTome Order Number: 000000-1151-004 for Axio Observer and Axiovert 200</p>
→ Price	Compatibility Basket